

KEY FEATURES

- Excellent power handling (90 w AES)
- Good sensitivity (95 dB)
- Smooth frequency response and low distortion
- Designed for the low and mid frequencies reproduction

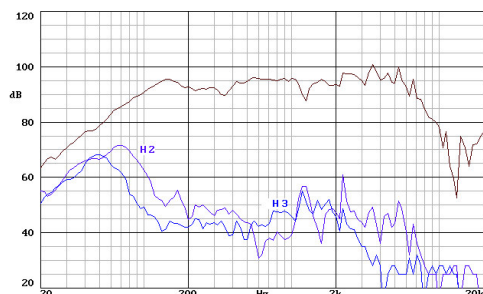
TECHNICAL SPECIFICATIONS

Nominal diameter	200 mm. 8 in.
Rated impedance	8 ohms
Minimum impedance	6.3 ohms
Power capacity*	90 w AES
Program power	180 w
Sensitivity	95 dB 2.83v @ 1m @ 2π
Frequency range	120 - 9000 Hz
Voice coil diameter	38.5 mm. 1.5 in.
Magnetic assembly weight	2.75 kg 4.18 lb.
BL factor	9.8 N / A
Moving mass	0.019 kg.
Voice coil length	6 mm
Air gap height	6 mm

THIELE-SMALL PARAMETERS**

Resonant frequency, fs	86 Hz
D.C. Voice coil resistance, Re	5.8 ohms.
Mechanical Quality Factor, Qms	5.72
Electrical Quality Factor, Qes	0.62
Total Quality Factor, Qts	0.56
Equivalent Air Volume to Cms, Vas	11 l
Mechanical Compliance, Cms	180 μm / N
Mechanical Resistance, Rms	1.8 kg / s
Efficiency, ηo (%)	1.1
Effective Surface Area, Sd (m ²)	0.0210 m ²
Maximum Displacement, Xmax	1 mm
Displacement Volume, Vd	21 cm ³
Voice Coil Inductance, Le @ 1 kHz	0.6 mH

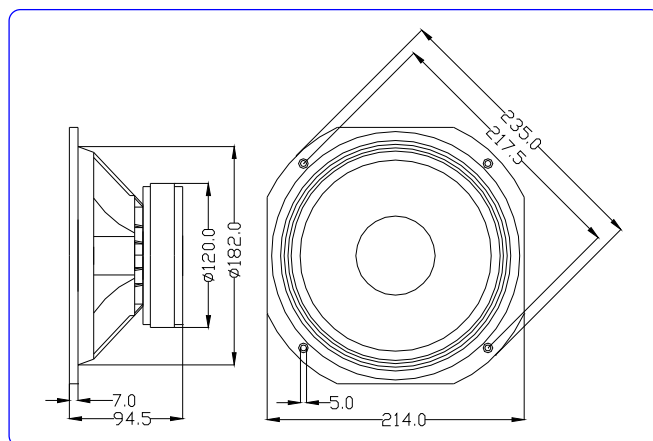
FREQUENCY RESPONSE AND DISTORTION CURVES



Note: on axis frequency response measured with loudspeaker standing on infinite baffle in anechoic chamber, 1w @ 1m.



DIMENSION DRAWINGS



Notes:

*The power capacity is determined according to AES2-1984 (r2003) standard. Program power is defined as the transducer's ability to handle normal music program material.

**T-S parameters are measured after an exercise period using a preconditioning power test. The measurements are carried out with a velocity-current laser transducer and will reflect the long term parameters (once the loudspeaker has been working for a short period of time).

FREE AIR IMPEDANCE CURVE

